



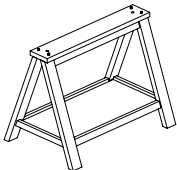
Style-It A-Frame Leg

PRE-ASSEMBLY:


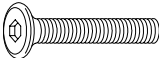


- For your safety and ease, assembly by two adults is recommended.
- Read all instructions before beginning assembly.
- Remove all parts and hardware from box and lay out on a carpeted or scratch-free work surface. The shipping box provides and ideal work surface. Do not dispose of any contents until assembly is completed to avoid accidentally discarding small parts or hardware.
- Do not use power drill as it may cause cracking.

PARTS INCLUDED:

A – A Frame Leg (1pcs)

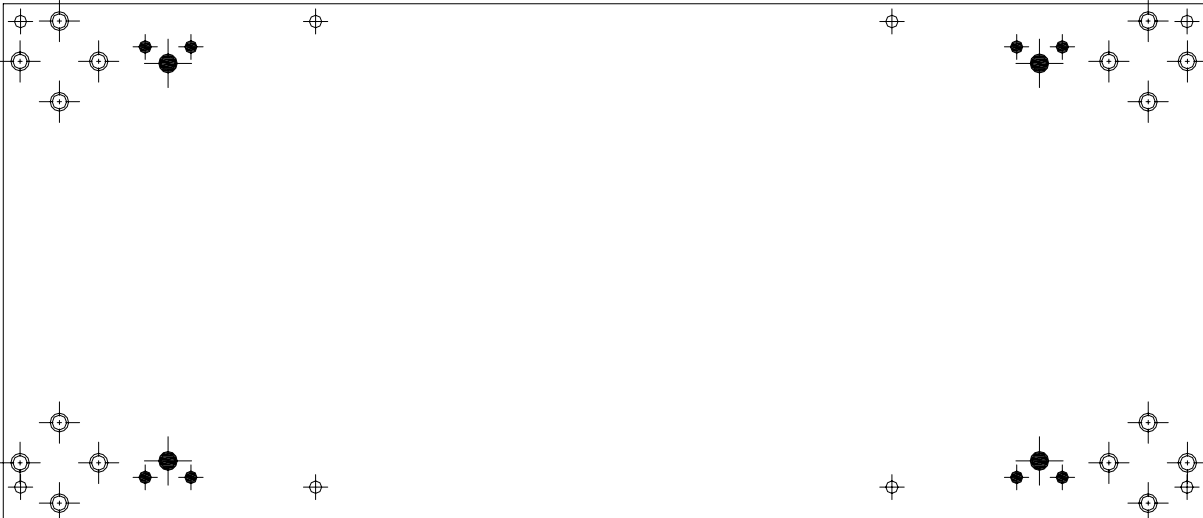


HARDWARE LIST:

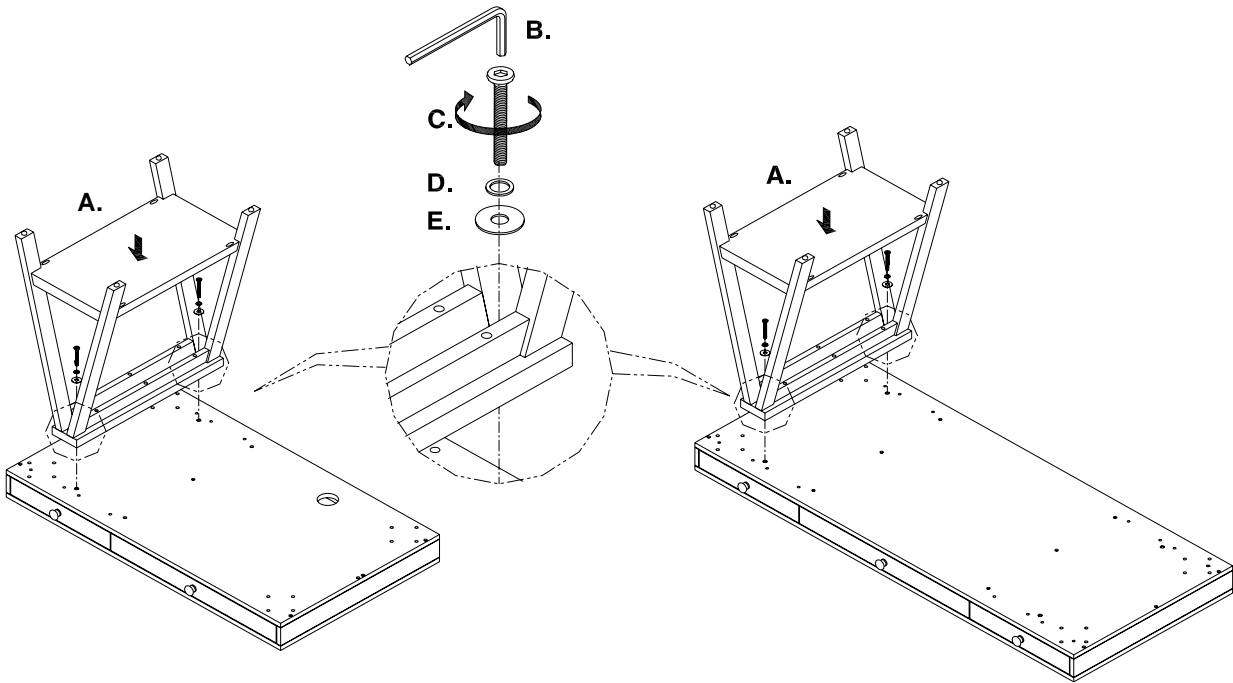
- B – Allen Key (1pcs) 
- C – Allen Bolt 1/4" x 40mm (2pcs) 
- D – Spring Washer (2pcs) 
- E – Flat Washer (2pcs) 

ASSEMBLY INSTRUCTIONS:

1. Turn the Style It Small or Large Desk Top (sold separately) upside down on a soft, carpeted working surface. There are several pre-drilled holes on bottom of the Desktop piece. The black spots showed on illustration below indicate the pre-drilled holes location for the A-Frame Leg connection.



2. Align the wooden dowels on top of the A-Frame Leg (A) to the corresponding pre-drilled holes on bottom of the Style It Desktop piece. Insert a Spring Washer (D), a Flat Washer (E) into an Allen Bolt (C) and insert the Allen Bolt from A-Frame Leg into bottom of the Style It Desktop, tighten with Allen Key (B) as shown below.
3. Check alignments and tighten all bolts.



Style - It Desktop Small

Style - It Desktop Large

CARE INSTRUCTIONS:

- Dust with a clean, soft cloth.
- Avoid the use of chemicals and harsh cleaning agents.



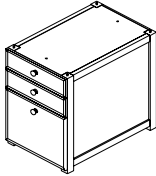
Style-It File Pedestal

PRE-ASSEMBLY:

- For your safety and ease, assembly by two adults is recommended.
- Read all instructions before beginning assembly.
- Remove all parts and hardware from box and lay out on a carpeted or scratch-free work surface. The shipping box provides an ideal work surface. Do not dispose of any contents until assembly is completed to avoid accidentally discarding small parts or hardware.
- Do not use power drill as it may cause cracking.

PARTS INCLUDED:

A – File Pedestal (1pcs)

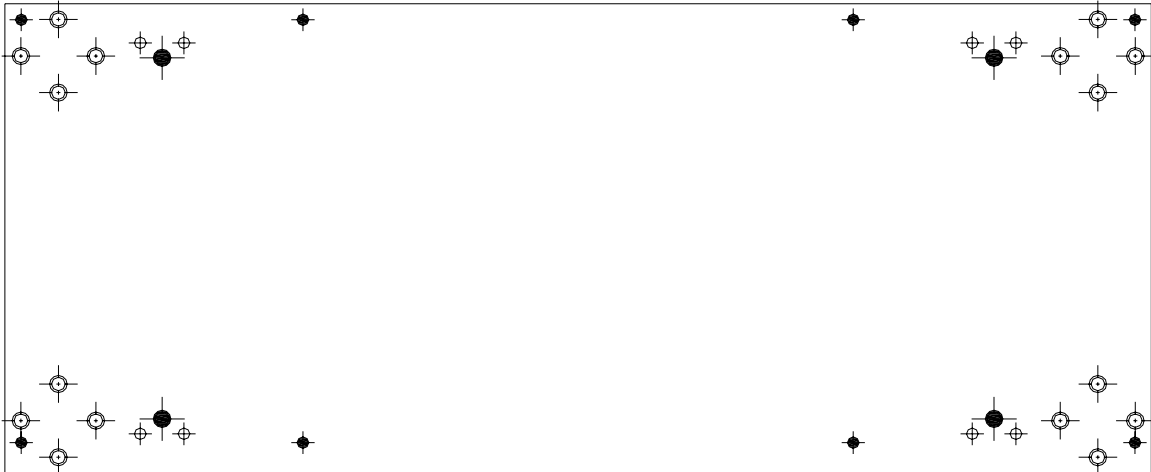


HARDWARE INCLUDED:

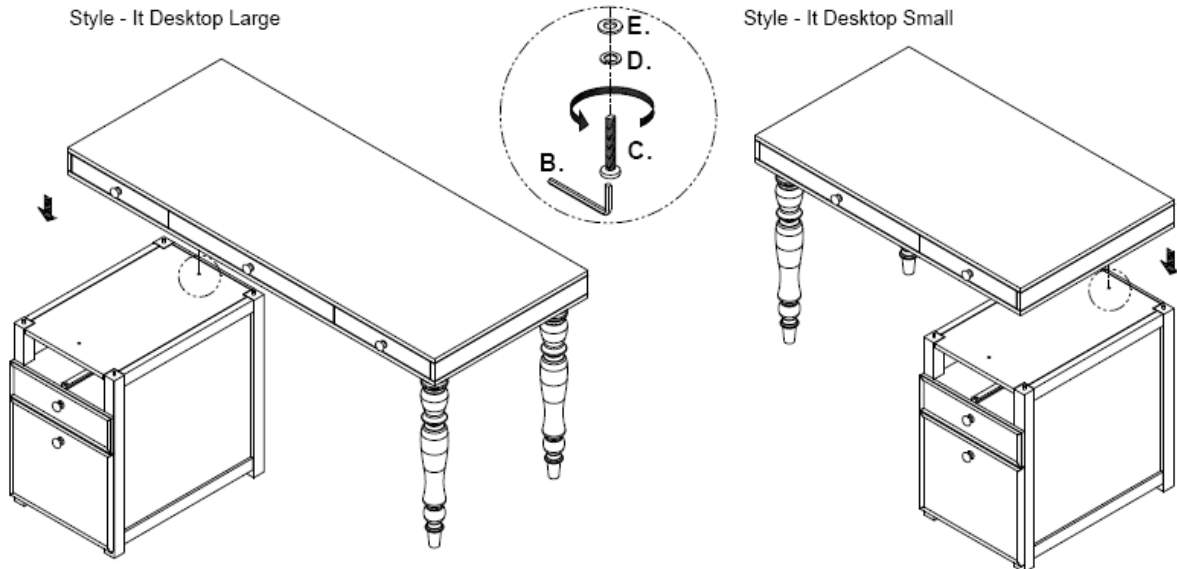
- B – Allen Key (1pcs)
- C – Allen Bolt 1/4" x 30mm (2pcs)
- D – Spring Washer (2pcs)
- E – Flat Washer (2pcs)
- F – File Grid (2pcs)

ASSEMBLY INSTRUCTIONS:

1. Turn the Style It Small or Large Desk Top (sold separately) upside down on a soft, carpeted working surface. There are several pre-drilled holes on bottom of the Desktop piece. The black spots showed on illustration below indicate the pre-drilled hole locations for the File Pedestal connection.

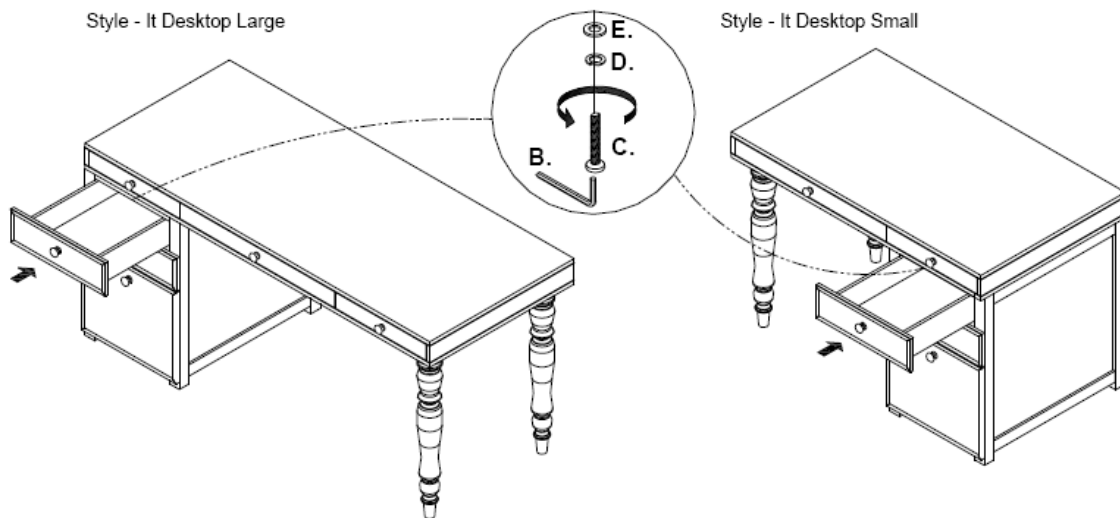


2. Pull the top drawer box out of the File Pedestal. Align the wooden dowels on corners of the File Pedestal (A) to corresponding pre-drilled holes on bottom of the Style It Desktop piece.
3. Slide a Spring Washer (D), a Flat Washer (E) into an Allen Bolt (C) and insert through far interior pre-drilled hole of the File Pedestal into the far pre-drilled hole on the bottom of the Style It Desktop and secure with an Allen Key (B) as shown below. Please Note: Do not insert the bolt into the pre-drilled holes located near the opening first.

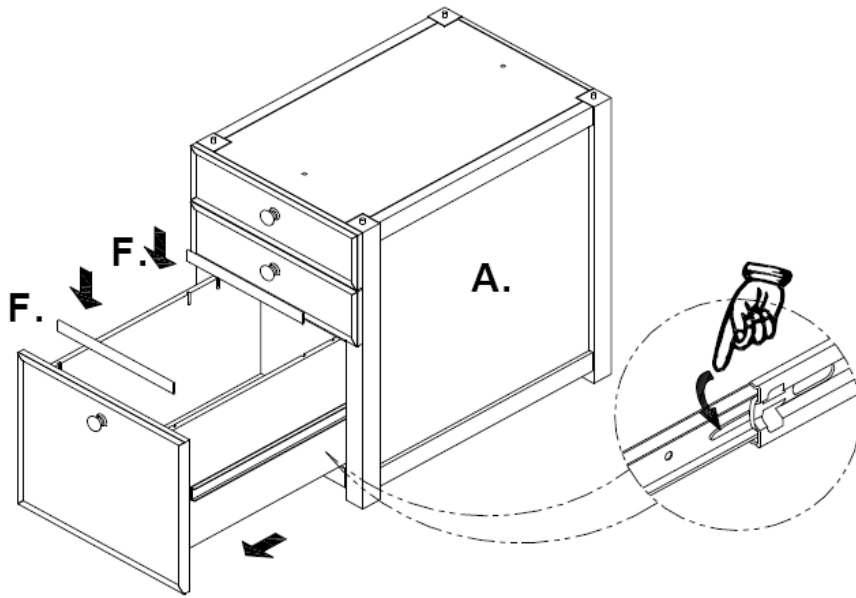


Note: Turned Legs shown on illustration are sold separately. Pictures are for reference only.

4. Slide the top drawer box back into the assembled File Pedestal and leave the top drawer open (as shown below). Slide a Spring Washer (D), a Flat Washer (E) onto an Allen Bolt (C). Insert the Allen Bolt through the front interior pre-drilled hole of the File Pedestal into the front pre-drilled hole on the bottom of the Style It Desktop and secure with an Allen Key (B) as shown below.



5. Place the File Grids (F) in designated locations in bottom drawer. Please Note: When releasing the bottom drawer from the File Pedestal push/pull the triggers on the metal glides located on both sides of the drawer.



CARE INSTRUCTIONS:

- Dust with a clean, soft cloth.
- Avoid the use of chemicals and harsh cleaning agents.



Style-It Smart Pedestal


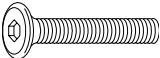





PRE-ASSEMBLY:

- For your safety and ease, assembly by two adults is recommended.
- Read all instructions before beginning assembly.
- Remove all parts and hardware from box and lay out on a carpeted or scratch-free work surface. The shipping box provides and ideal work surface. Do not dispose of any contents until assembly is completed to avoid accidentally discarding small parts or hardware.
- Do not use power drill as it may cause cracking.

PARTS INCLUDED:

- A – Smart Pedestal (1pc)
- B – Shelf (1pc)

HARDWARE INCLUDED:

- C – Allen Key (1pc) 
- D – Allen Bolt 1/4" x 30mm (2pcs) 
- E – Spring Washer (2pcs) 
- F – Flat Washer (2pcs) 
- G – Shelf Supporters (4pcs) 
- H- Cable Clip (1pc) 
- I – Screw 3.5 x 20mm (1pc) 

TOOL REQUIRED (but not included):

- Phillips Screwdriver 

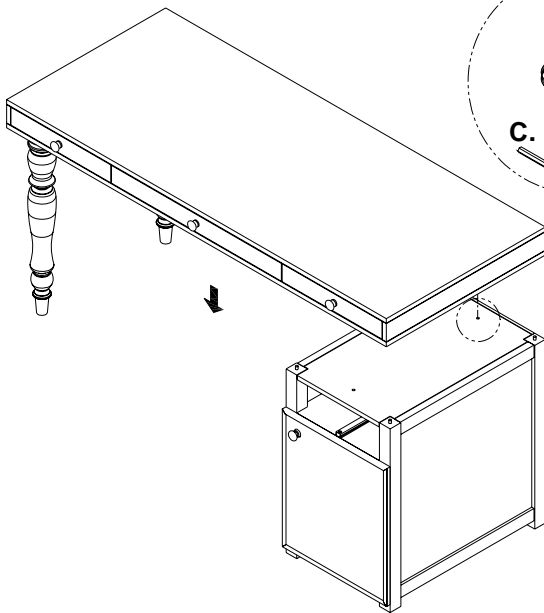
ASSEMBLY INSTRUCTIONS:

1. Turn the Style It Small or Large Desk Top (sold separately) upside down on a soft, carpeted working surface. There are several pre-drilled holes on bottom of the Desktop piece. The black spots showed on illustration below indicate the pre-drilled holes location for the Smart Pedestal connection.

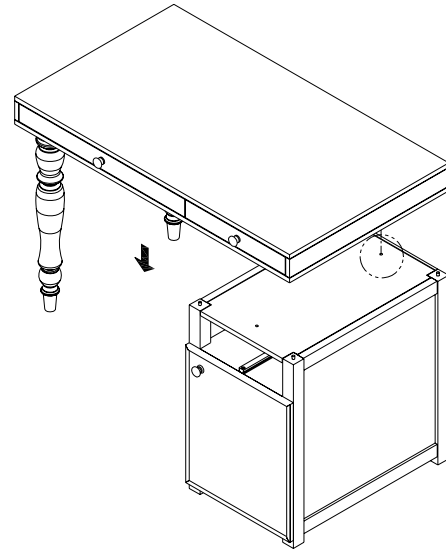


2. Pull the top drawer out of the Smart Pedestal. Align the wooden dowels on corners of the Smart Pedestal to corresponding pre-drilled holes on bottom of the Style It Desktop piece.
3. Slide a Spring Washer (E), a Flat Washer (F) onto an Allen Bolt (D). Insert the Allen Bolt through far interior pre-drilled hole of the Smart Pedestal into the far pre-drilled hole on the bottom of the Style It Desktop and secure with an Allen Key (C) as shown below. Please Note: Do not insert the bolt into the pre-drilled holes located near the opening first.

Style - It Desktop Large

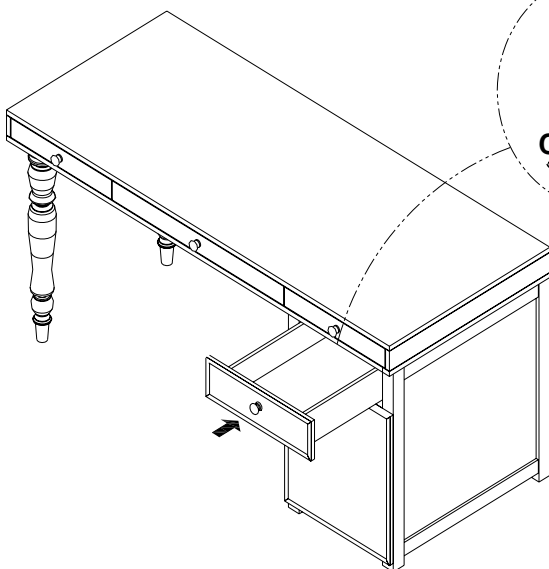


Style - It Desktop Small

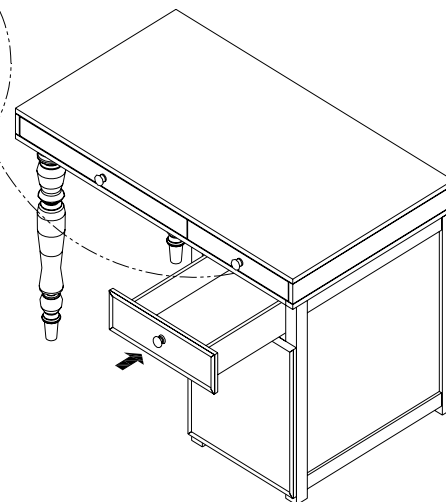


4. Slide the top drawer box back into the assembled Smart Pedestal making sure to thread the smart cord through the cord cutout located on the back of Smart Pedestal (A).
5. Leave the top drawer open (as shown below) and slide a Spring Washer (E), a Flat Washer (F) onto an Allen Bolt (D). Insert the Allen Bolt through the front interior pre-drilled hole of the Smart Pedestal into the front pre-drilled hole on the bottom of the Style It Desktop and secure with an Allen Key (C) as shown below.

Style - It Desktop Large

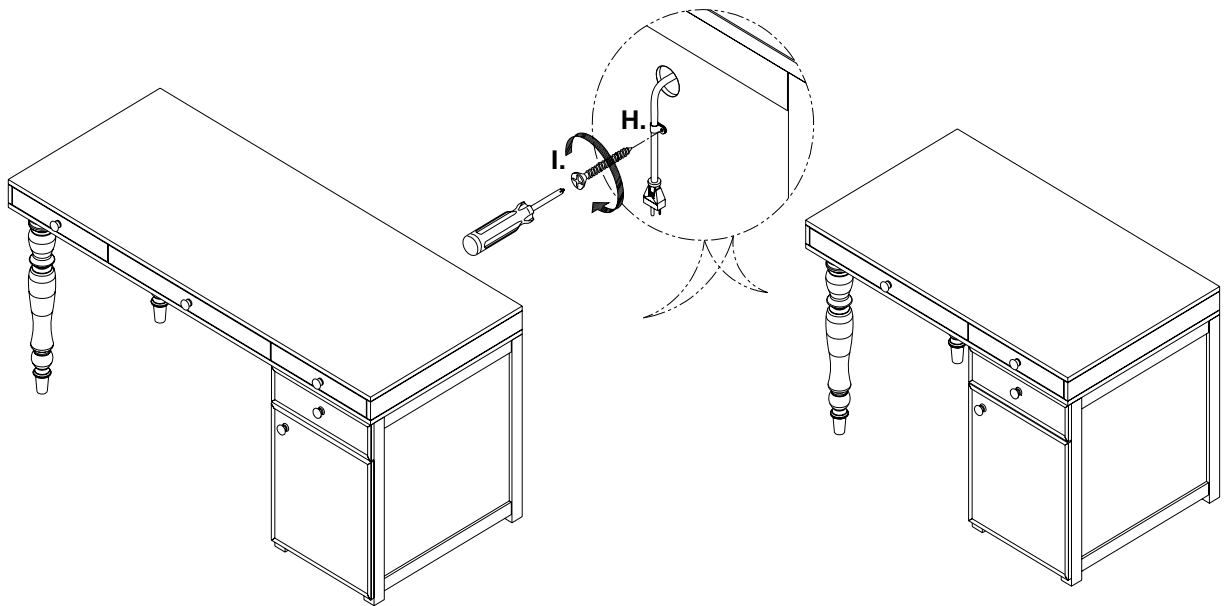


Style - It Desktop Small

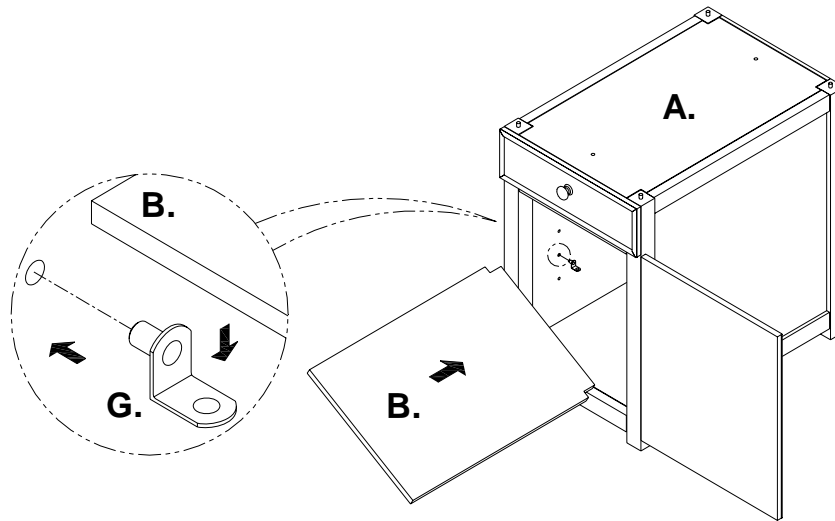


Note: Turned Legs shown on illustration are sold separately. Pictures are for reference only.

6. Use the Cable Clip (H) and Wood Screw (I) to secure the cord set cable in place as shown below.



7. Insert Shelf Supporters (B) into pre-drilled holes inside the door and place Shelf (B) on the Shelf supporters.



CARE INSTRUCTIONS:

- Dust with a clean, soft cloth
- Avoid the use of chemicals and harsh cleaning agents



Style-It Simple Leg

PRE-ASSEMBLY:


- For your safety and ease, assembly by two adults is recommended.
- Read all instructions before beginning assembly.
- Remove all parts and hardware from box and lay out on a carpeted or scratch-free work surface. The shipping box provides an ideal work surface. Do not dispose of any contents until assembly is completed to avoid accidentally discarding small parts or hardware.
- Do not use power drill as it may cause cracking.


PARTS INCLUDED:

A – Simple Leg (2pcs)



HARDWARE INCLUDED:

B – Allen Key (1pcs) 

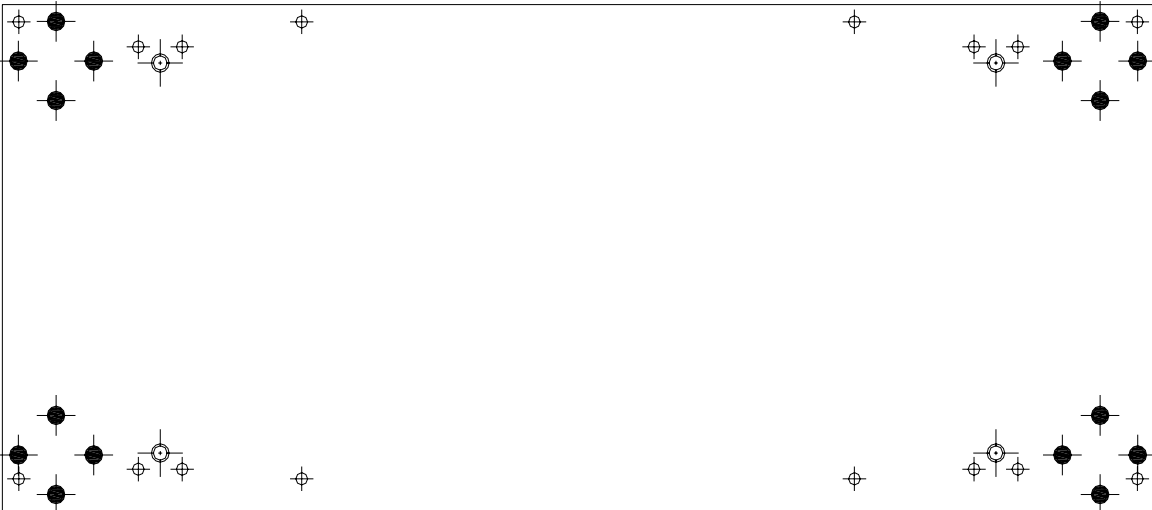
C – Allen Bolt 1/4" x 15mm (8pcs) 

D – Spring Washer (8pcs) 

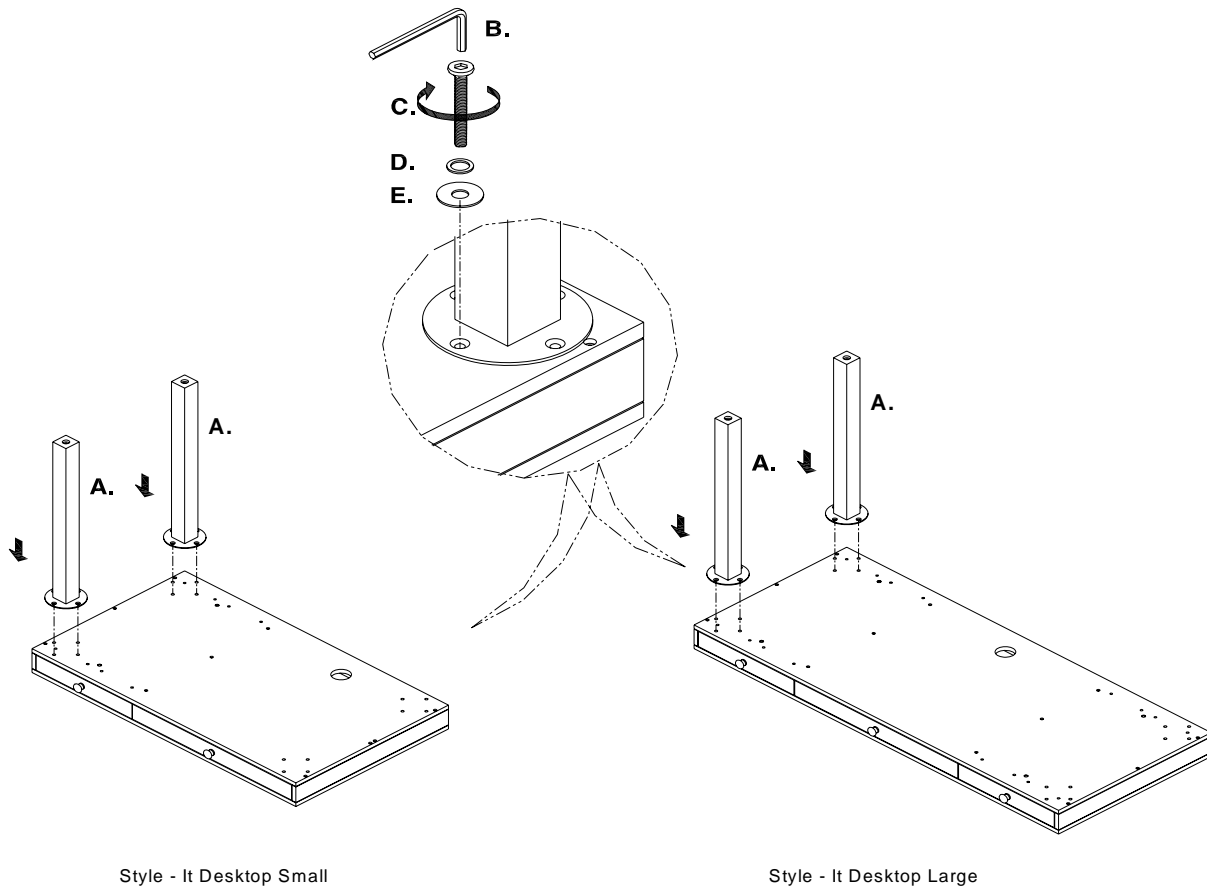
E – Flat Washer (8pcs) 

ASSEMBLY INSTRUCTIONS:

1. Turn the Style It Small or Large Desk Top (sold separately) upside down on a soft, carpeted working surface. There are several pre-drilled holes on bottom of the Desktop piece. The black spots showed on illustration below indicate the pre-drilled holes location for the Simple Leg connection.



- Align the pre-drilled holes on the top of the Simple Leg (A) to the corresponding pre-drilled holes on bottom of the Style It Desktop piece. Insert a Flat Washer (E), a Spring Washer (D) and an Allen Bolts (C) as shown below. Tighten using an Allen Key (B).
- Check alignments and tighten all bolts.



CARE INSTRUCTIONS:

- Dust with a clean, soft cloth.
- Avoid the use of chemicals and harsh cleaning agents.



Style-It Turned Leg

PRE-ASSEMBLY:

- For your safety and ease, assembly by two adults is recommended.
- Read all instructions before beginning assembly.
- Remove all parts and hardware from box and lay out on a carpeted or scratch-free work surface. The shipping box provides and ideal work surface. Do not dispose of any contents until assembly is completed to avoid accidentally discarding small parts or hardware.
- Do not use power drill as it may cause cracking.

PARTS INCLUDED:

A – Turned Leg (2pcs)

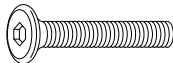


HARDWARE INCLUDED:

B – Allen Key (1pcs)



C – Allen Bolt 1/4" x 15mm (8pcs)



D – Spring Washer (8pcs)

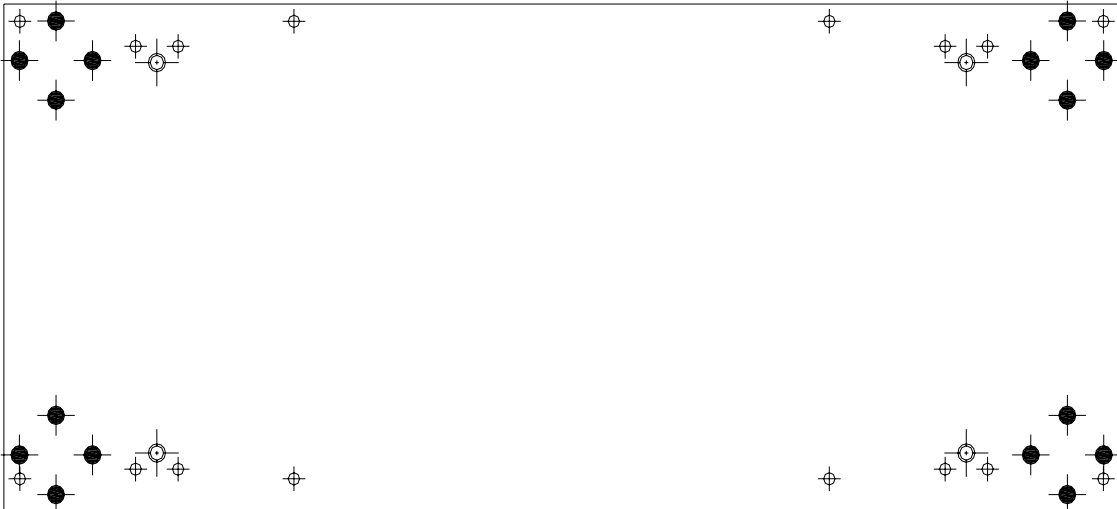


E – Flat Washer (8pcs)

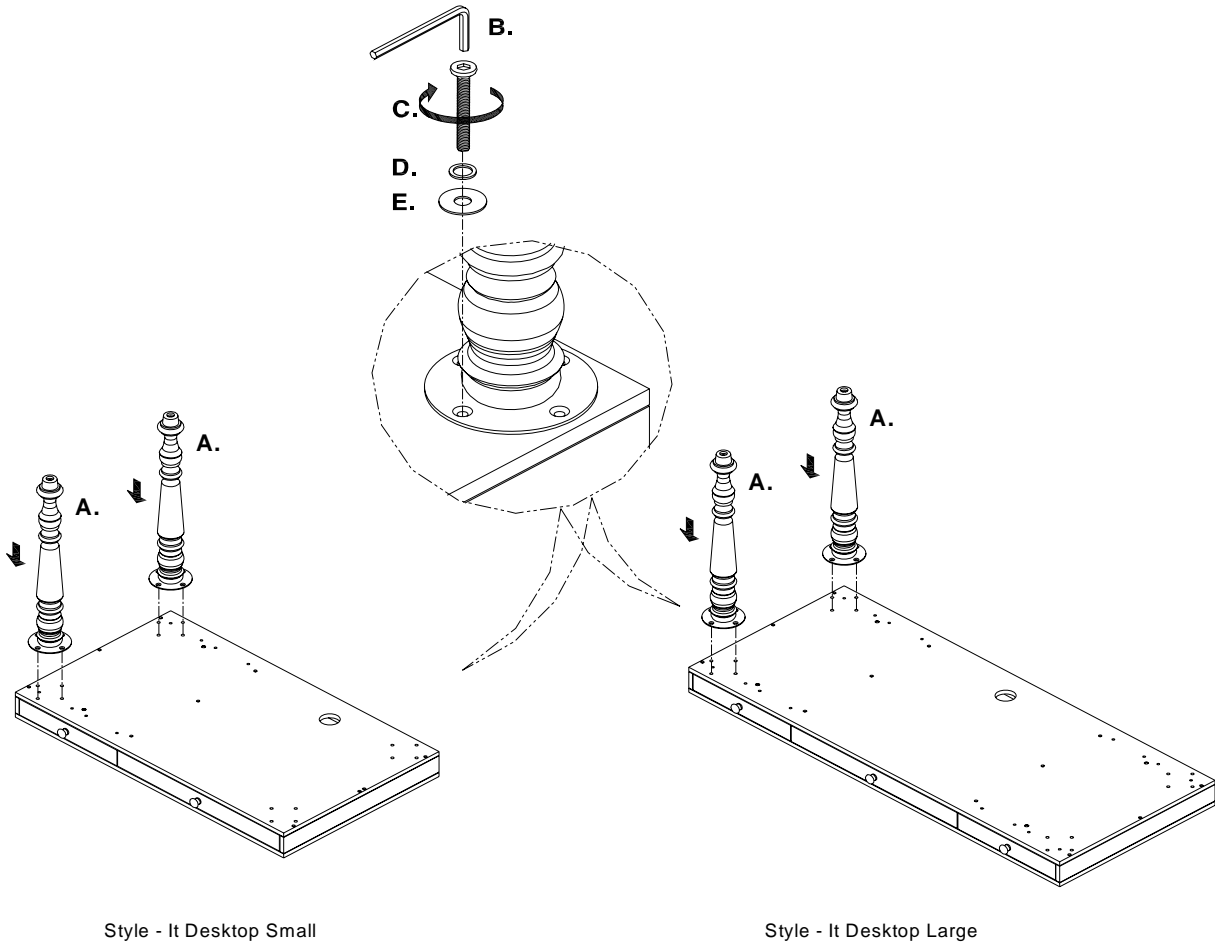


ASSEMBLY INSTRUCTIONS:

1. Turn the Style It Small or Large Desk Top (sold separately) upside down on a soft, carpeted working surface. There are several pre-drilled holes on bottom of the Desktop piece. The black spots showed on illustration below indicate the pre-drilled holes location for the Turned Leg connection.



- Align the pre-drilled holes on top of Turned Leg (A) to the corresponding pre-drilled holes bottom of the Style It Desktop. Insert a Flat Washer (E), a Spring Washer (D) and an Allen Bolts (C) as shown below. Use an Allen Key (B) to tighten.
- Check alignments and tighten all bolts.



Style - It Desktop Small

Style - It Desktop Large

CARE INSTRUCTIONS:

- Dust with a clean, soft cloth.
- Avoid the use of chemicals and harsh cleaning agents.

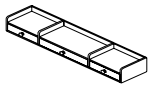


Style-It Desk Hutch Small

PRE-ASSEMBLY:

- For your safety and ease, assembly by two adults is recommended.
- Read all instructions before beginning assembly.
- Remove all parts and hardware from box and lay out on a carpeted or scratch-free work surface. The shipping box provides an ideal work surface. Do not dispose of any contents until assembly is completed to avoid accidentally discarding small parts or hardware.
- Do not use power drill as it may cause cracking.

PARTS INCLUDED:



A – Desk Hutch (1pcs)

HARDWARE INCLUDED:

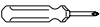


B – Mending Plate (2pcs)



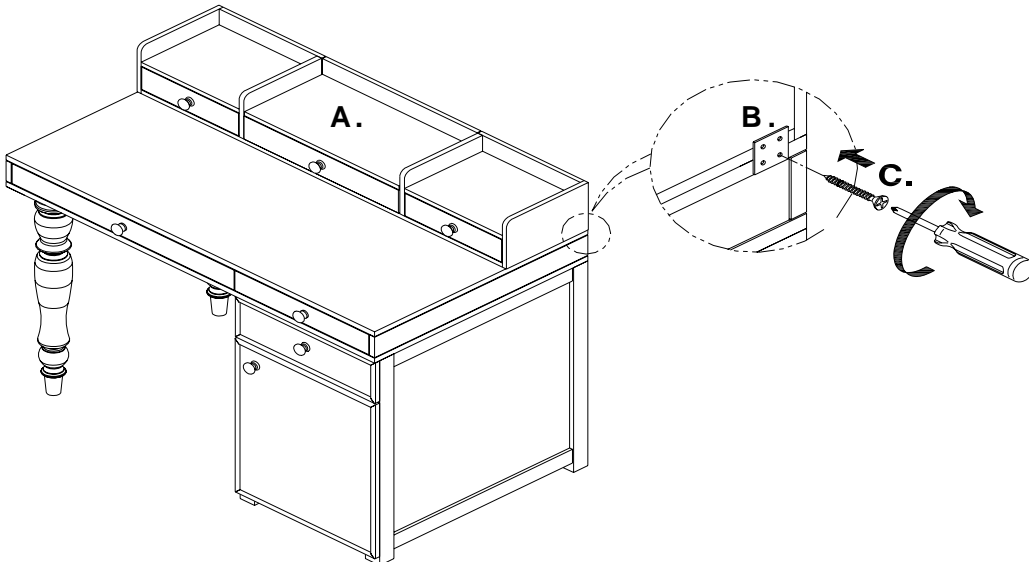
C – Wood Screw 3 x 12mm (4pcs)

TOOLS REQUIRED (but not included):

Phillips Screwdriver 

ASSEMBLY INSTRUCTIONS:

1. When using the Small Desk Top (sold separately) place the Desk Hutch (A) on the desk, align Mending Plate (B) over the pre-drilled holes and secure with Wood Screws (C) as shown below. Repeat with the other Mending Plate.



NOTE: When using Large Desk Top (sold separately) the Style-It Desk Hutch Small must be left un-mounted.

CARE INSTRUCTIONS:

- Dust with a clean, soft cloth.
- Avoid the use of chemicals and harsh cleaning agents.



Style-It Hutch Large

PRE-ASSEMBLY:

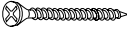
- For your safety and ease, assembly by two adults is recommended.
- Read all instructions before beginning assembly.
- Remove all parts and hardware from box and lay out on a carpeted or scratch-free work surface. The shipping box provides an ideal work surface. Do not dispose of any contents until assembly is completed to avoid accidentally discarding small parts or hardware.
- Do not use power drill as it may cause cracking.


PARTS INCLUDED:

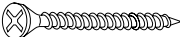
A – Hutch (1pcs)

HARDWARE INCLUDED:

B – Mending Plate (2pcs) 

C – Short Wood Screw 3 x 12mm (4pcs) 

D – Cable Clip (1pcs) 

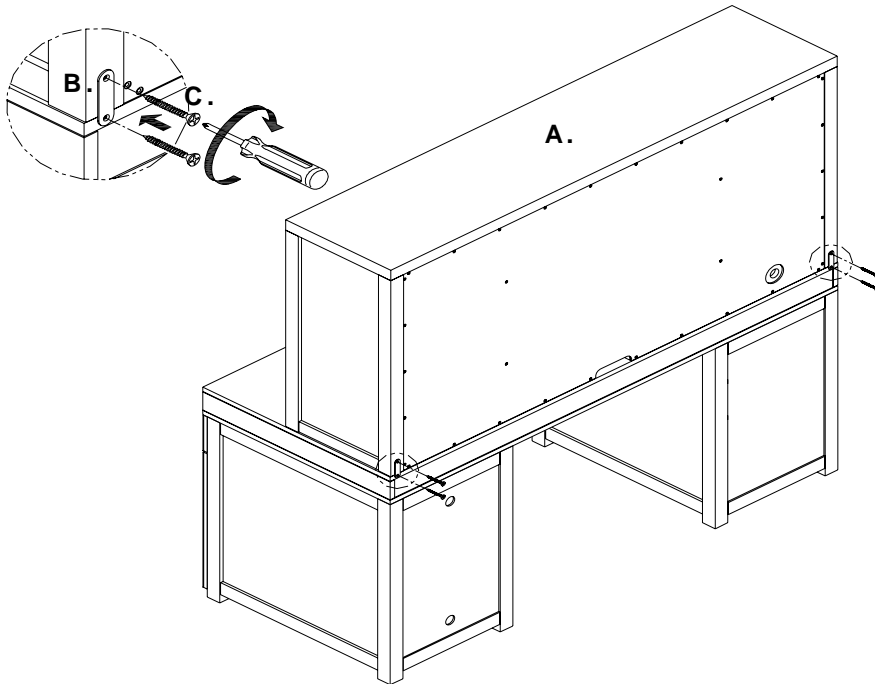
E – Long Wood Screw 3.5 x 15mm (1pcs) 

TOOLS REQUIRED (but not included):

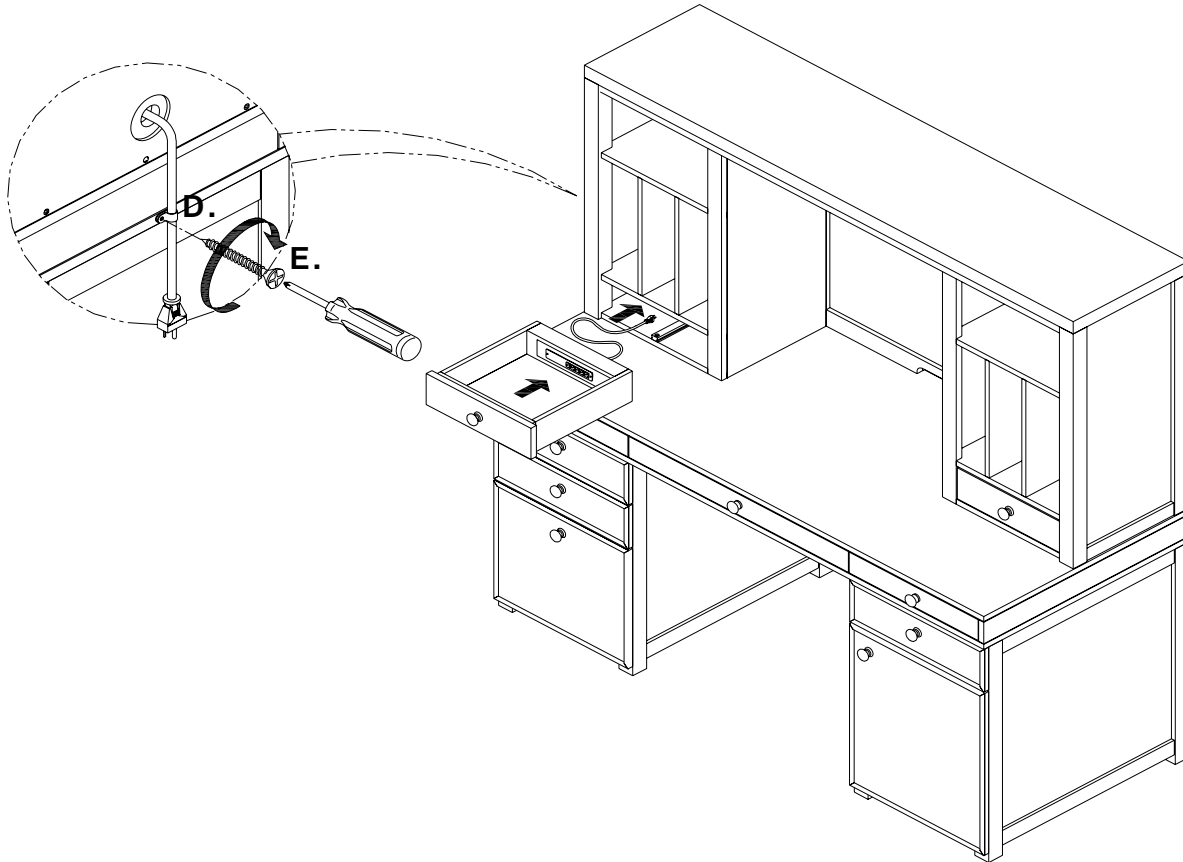
Phillips Screwdriver 

ASSEMBLY INSTRUCTIONS:

1. Put the Hutch (A) on the Large Desk (sold separately). Place a Mending Plates (B) over the pre-drilled holes and secure with (4) Wood Screws (C). Repeat with the other Mending Plate.



2. Make sure the cordset cable goes through the cut-out on back panel. Use the Cable Clip (D) and Wood Screw (E) to secure the cord set cable to the pilot hole located on rear of the desktop piece.



CARE INSTRUCTIONS:

- Dust with a clean, soft cloth.
- Avoid the use of chemicals and harsh cleaning agents.



Style-It Hutch Large

FURNITURE TIPPING RESTRAINT

Young children may be injured by tipping furniture. The use of a tipping restraint is highly recommended. When properly installed, this restraint could provide protection against the unexpected tipping of furniture due to small tremors, bumping or climbing. We recommend mounting this restraint to a wall stud.

WARNING: This product is only a deterrent. It is not a substitute for proper adult supervision.

HARDWARE INCLUDED:



INSTALLATION INSTRUCTIONS:

1. Locate a wall stud behind your furniture. Position a Bracket (W) on the stud approximately 1” below the top of the furniture. Mark and drill pilot hole into the center of the stud with a 3/32” drill bit. Attach a Bracket (W) to the stud with the Long Screws (Y) provided.
2. On the back of the furniture, the second Bracket (W) will need to be attached to the furniture frame at the top. To do this, temporarily move the furniture into its final position and mark the location of the wall’s Bracket (W) on the furniture frame with a pencil.
3. Move the furniture away from the wall and place a Bracket (W) on the mark. Using the marks from the previous step as a guide, drill holes for screws with a 3/32” drill bit. Attach the bracket to the furniture with the Short Screws (X) provided.
4. Move the furniture into its final position, taking care to line up the wall bracket with the furniture bracket. Thread the Plastic Restraint (Z) through the bracket and clinch as shown in the illustration. Tighten strap until snug. Do not over tighten.

