



Display-It Chiffonier

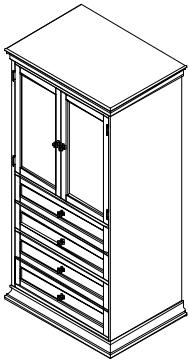
CAUTION

The top shelf of this cart/stand is intended for use with Tube televisions having a maximum screen size of 26 inches and weight of 95 lbs. All other support shelves should not be loaded more than 25lbs.

DO NOT EXCEED RECOMMENDED LOAD. Use with products heavier than the maximum sizes and weights indicated may result in instability causing possible injury.

This unit contains a permanent sticker located either beneath top shelf or inside top drawer.

Do not allow children under 16 years to move cart.



Parts Included:

All parts and hardware are delivered in one carton.

- A - Chiffonier – 1 pc
- B - Adjustable Shelf – 2 pcs

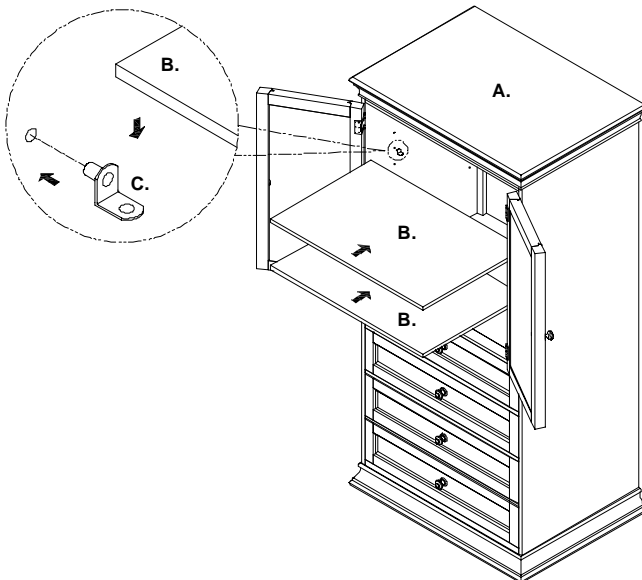
Hardware Included:

- C - Shelf Support Pegs – 8 pcs



Assembly Instructions:

1. Place the Chiffonier (A) in its desired location.
2. Adjust the Adjustable Levelers on bottom of the Chiffonier by loosening or tightening them, to place Chiffonier evenly on floor.
3. Insert the Shelf Support Pegs (C) into the pre-drilled holes inside the cabinet and then place the Adjustable Shelf (B) on the Shelf Support Pegs (C).



Care Instructions:

- Dust with a soft, dry cloth.
- Avoid abrasives and solvent cleaners.


Display-It Chiffonier


FURNITURE TIPPING RESTRAINT

Young children may be injured by tipping furniture. The use of a tipping restraint is highly recommended. When properly installed, this restraint could provide protection against the unexpected tipping of furniture due to small tremors, bumping or climbing. We recommend mounting this restraint to a wall stud.


WARNING: This product is only a deterrent. It is not a substitute for proper adult supervision.

Hardware Included:

D - Plastic Restraint (2 pcs) 

F - Short Wood Screw 3 x 19mm (4 pcs) 

E - Plastic Wall Bracket (4 pcs) 

G - Long Wood Screw 3 x 32mm (4 pcs) 

Installation Instructions:

1. Locate a wall stud behind your furniture. Position a Plastic Wall Bracket (E) on the stud approximately 1" below the top of the furniture. Mark and drill pilot hole into the center of the stud with a 3/32" drill bit. Attach a Plastic Wall Bracket (E) to the stud with the Long Wood Screws (G) provided.
2. On the back of the furniture, the second Plastic Wall Bracket (E) will need to be attached to the furniture frame at the top. To do this, temporarily move the furniture into its final position and mark the location of the wall's Plastic Wall Bracket (E) on the furniture frame with a pencil.
3. Move the furniture away from the wall and place a Plastic Wall Bracket (E) on the mark. Using the marks from the previous step as a guide, drill holes for screws with a 3/32" drill bit. Attach the Plastic Wall bracket to the furniture with the Short Screws (F) provided.
4. Move the furniture into its final position, taking care to line up the wall's Plastic Wall Bracket (E) with the furniture's Plastic Wall Bracket (E). Thread the Plastic Restraint (D) through the Plastic Wall Brackets (E) and clinch as shown in the illustration. Tighten strap until snug. Do not over tighten.

